

Game over!



General features

A small cube for heavy duty applications!

The special shape of the diced ice cube provides optimal beverage contact making this type of ice cube ideal in heavy duty purposes in cooling drinks. Diced ice cubes are frozen on a vertical evaporator.

The ice can be made very quickly and is thus ideal for outlets needing high volumes of ice, such as fast serve dining.

The equipment is characterised by small footprint and improves the output / footprint ratio. Nevertheless diced ice is also of great general purpose throughout the hospitality industry.

Dice cubes are available in two different sizes to suit your specific need.

Water is sprinkled over the surface of the vertical evaporator grid plate with each cube forming in a cell on the grid. This is the most cost-efficient system where volume is a key request.

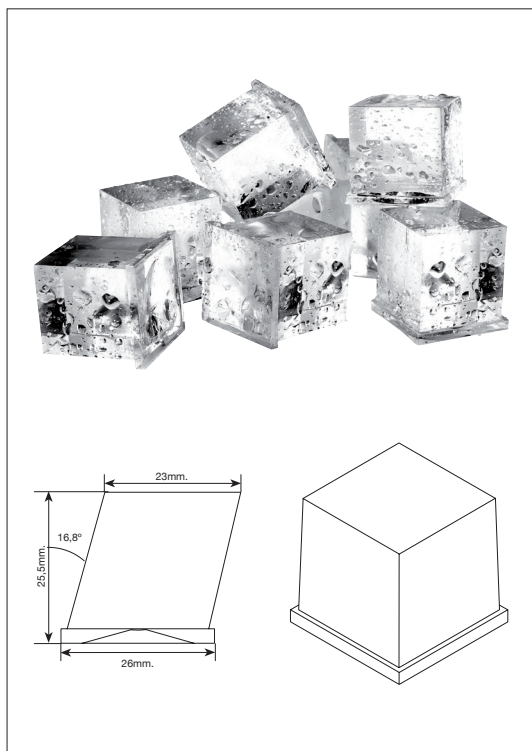
The machine is compact, requires less floor space than a machine with a horizontal evaporator.

The high grade foodsafe stainless steel and superior density isolation will ensure quality with and optimized energy consumption.

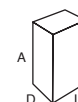
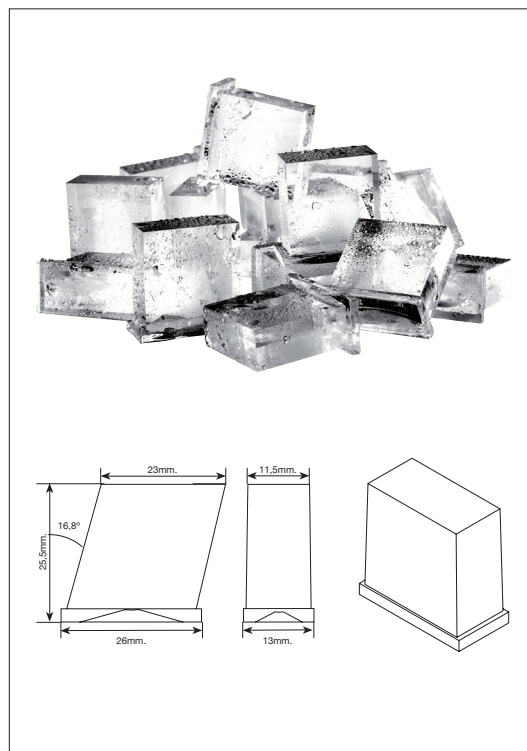
Technical features / Operating limits

Ice cube	FD. Full: 23 x 23 x 26mm. HD. Half: 23 x 11 x 26mm.
Body	AISI 304 Stainless Steel.
Vertical evaporator system	Special ICE TECH FD/HD water distribution system. The ICE TECH FD/HD machine produces pure & cristal-clear cube ice. Think ICE TECH FD/HD machine as a partner, designer to be easier to use. The modular ICE TECH FD/HD machine produce half or full cubes.
Electronic controls	Simple, easy to understand and service. High reliability and low spare parts cost.
Stackable	Possibility to stack two units with the special ice chute assembly.
Tropicalized machines	Class T
Range	Air temperature: 5 – 40°C Water temperature: 5 – 35°C Pressure: 0,7 – 6 bar
Ice production capacity	Kg/24h at Ambient temperature 21°C, Water temperature 15°C.
Certification	ISO 9001, CE
Others	Refrigerant R404 Water inlet connection 3/4" ICE TECH FD / ICE TECH HD 215 Single-phase input: 220V-50Hz. / 220V-60Hz. ICE TECH FD / ICE TECH HD 415 Triphase or single-phase. Triphase input: 380V/50-60Hz

FD | 14 gr



HD | 7 gr



Model	Condensation System	Production Kg. / Day	Storage Kg.	Voltage	Maximum Power Input W.	WIDTH x DEPTH x HEIGHT Dimensions mm.
ICE TECH FD/HD 60	Air	59	20	I	430	535 x 595 x 795
	Water	62			470	
ICE TECH FD/HD 90	Air	90	35	I	550	660 x 700 x 838
	Water	93			580	
ICE TECH FD/HD 110	Air	110	35	I	600	660 x 700 x 838
	Water	113			650	
ICE TECH FD/HD 140	Air	136	45	I	710	762 x 762 x 838
	Water	140			730	
ICE TECH FD/HD 215	Air	212	MODULAR	I	1200	762 x 620 x 500
	Water	215			1200	
ICE TECH FD/HD 315 SLIM	Air	300	MODULAR	I	1400	559 x 621 x 659
	Water	320			1400	
ICE TECH FD/HD 415	Air	403	MODULAR	III/I	1800	762 x 620 x 760
	Water	412			1800	

Supplement	Storage Kg.	Storage ARI	Dispensing Speed g./seg.	Motor V./Hz. / amps.	WIDTH x DEPTH x HEIGHT Dimensions mm.
FD/HD DISPENSER DISPENSER ICE & WATER	104	83	109	220/50/0,9 115/60/1,7	769 x 835 x 1537
FD/HD SLIM DISPENSER DISPENSER ICE & WATER	58	46	109	220/50/0,9 115/60/1,7	559 x 835 x 1372