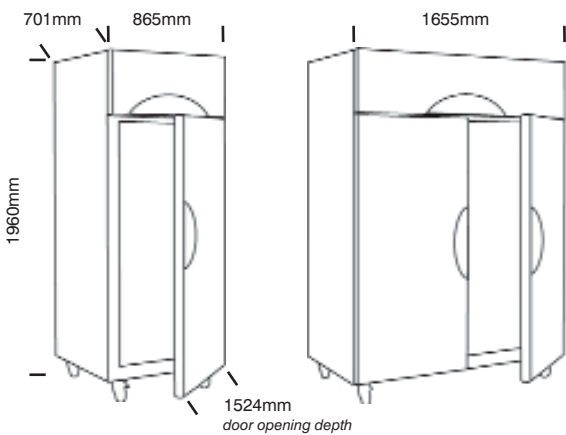


Sapphire Range

Model: S1 & S2- Datasheet



Key Features

- Foodsafe stainless steel exterior and interior
- Radiused corners to reduce potential dirt traps
- CoolSmart controller is designed for easy operation and features clear digital display
- Designed and engineered to operate efficiently up to a 43°C ambient, this exceeds Climate Class 5
- Self closing doors minimises temperature gain, reducing energy consumption
- Precision injected, high density 75mm polyurethane insulation. Provides excellent thermal efficiency with low GWP (Global Warming Potential) and zero ODP (Ozone Depletion Potential)
- Heavy duty, non-marking swivel castors with brakes – designed to fit through a standard door for ease of positioning
- Barrel locked doors for added security

- Top mounted removable refrigeration system for easy servicing
- Anti-tilt, stain resistant coated shelving
- Audio and visual hi/lo temp alarm and door open alarm on freezer only
- Condensor cleaning light to indicate when cleaning required to ensure effective performance
- Defrost water is vaporized using recycled heat from compressor

Options

- Aluminium interior
- Additional shelving / trayslides
- Pass through
- Glass door (high temp only)
- Left hand door hang
- Half doors
- Workout drawers
- Adjustable legs in lieu of castors (add 10mm)
- Hydrocarbon version available
- Glycol Secondary System

Variant	Temp	Storage
HS1	+1/+4°C	General Produce
MS1	-2/+2°C	Meat
LS1	-18/-22°C	Frozen Food
WS1	+3/+13°C	Wine
HS2	+1/+4°C	General Produce
MS2	-2/+2°C	Meat
LS2	-18/-22°C	Frozen Food
WS2	+3/+13°C	Wine

Dimensions

	HS1	MS1	LS1	WS1	HS2	MS2	LS2	WS2
External (mm):	H1960 W865 D701	H1960 W865 D701	H1960 W865 D701	H1960 W865 D701	H1960 W1655 D701	H1960 W1655 D701	H1960 W1655 D701	H1960 W1655 D701
Internal (mm):	H1370 W715 D560	H1370 W715 D560	H1370 W715 D560	H1370 W715 D560	H1370 W1505 D560	H1370 W1505 D560	H1370 W1505 D560	H1370 W1505 D560
Door Opening (mm):	D1524	D1524	D1524	D1524	D1482	D1482	D1482	D1482
Packed:	H2057 W940 D767	H2057 W940 D767	H2057 W940 D767	H2057 W940 D767	H2057 W1730 D767	H2057 W1730 D767	H2057 W1730 D767	H2057 W1730 D767
Weight:	132kg	132kg	132kg	150kg	187kg	205kg	209kg	228kg

Add 5kg per product for packaging

Important Information

	HS1	MS1	LS1	WS1	HS2	MS2	LS2	WS2
Capacity: cu.ft/litres	21/605	21/605	21/605	21/605	45.5/1288	45.5/1288	45.5/1288	45.5/1288
Construction								
Exterior	0.7mm stainless steel	0.7mm stainless steel	0.7mm stainless steel	0.7mm stainless steel	0.7mm stainless steel	0.7mm stainless steel	0.7mm stainless steel	0.7mm stainless steel
Interior	0.7mm stainless steel	0.7mm stainless steel	0.7mm stainless steel	0.7mm stainless steel	0.7mm stainless steel	0.7mm stainless steel	0.7mm stainless steel	0.7mm stainless steel
Door	0.7mm stainless steel	0.7mm stainless steel	0.7mm stainless steel	0.7mm stainless steel	0.7mm stainless steel	0.7mm stainless steel	0.7mm stainless steel	0.7mm stainless steel
Power Supply	220V/240V 50Hz/1Ph 13 amp plug	220V/240V 50Hz/1Ph 13 amp plug	220V/240V 50Hz/1Ph 13 amp plug	220V/240V 50Hz/1Ph 13 amp plug	220V/240V 50Hz/1Ph 13 amp plug	220V/240V 50Hz/1Ph 13 amp plug	220V/240V 50Hz/1Ph 13 amp plug	220V/240V 50Hz/1Ph 13 amp plug
Power Input								
Start Up	10.7 amps	10.7 amps	22.7 amps	10.7 amps	15.3 amps	15.3 amps	29.7 amps	15.3 amps
Running	3 amps	3 amps	4 amps	3 amps	3.5 amps	3.5 amps	4.5 amps	3.5 amps
Compressor HP	1/4	1/4	1/2	1/4	1/3	1/3	3/4	1/3
Energy Consumption (Tested to EN153) in 24hrs	3.6kW	4.4kW	4.4kW	4.8kW	5.8kW	6.6kW	14kW	7kW
Heat Rejection (Evaporating at -10°C in 32°C ambient)	565 watts	565 watts	1564 watts	565 watts	737watts	737watts	2931 watts	737 watts
Refrigerant	R134a	R134a	R404a	R134a	R134a	R134a	R404a	R134a
Defrost	Auto off- cycle	Auto electric Door mullion heaters	Auto electric Door mullion heaters	Auto off- cycle	Auto off- cycle	Auto electric Door mullion heaters	Auto electric Door mullion heaters	Auto off- cycle
Insulation ODP Zero Polyurethane	75mm	75mm	75mm	75mm	75mm	75mm	75mm	75mm
Noise Output	58.0dBA	58.0dBA	60.0dBA	52.6dBA	61.0dBA	61.0dBA	65.0dBA	61.0dBA
Fittings								
Shelves (W530xD650) 2/1 GN	4	4	4	10 wire coated	8	8	8	20 wire coated
Trayslides	8	8	8	20	16	16	16	40



Bryggen Road, North Lynn Industrial Estate
King's Lynn, Norfolk PE30 2HZ

T +44 (0) 1553 817000

F +44 (0) 1553 817111

Spares +44 (0)1553 817017

E info@williams-refrigeration.co.uk

W www.williams-refrigeration.com

Allow minimum of 500mm above cabinet for maintenance and ventilation. All refrigeration equipment requires adequate ventilation for efficient and effective performance. Williams are committed to a policy continuing product development and innovation and as such, we reserve the right to change product specifications stated without prior notice.