

# Vogt Tube - Ice machines P112

In 1938, Vogt Ice revolutionized the ice making industry by introducing the world's first automatic sized icemaker. Today, Vogt Tube-Ice machines enjoy a well-earned reputation as the most energy efficient, dependable ice machines on the market.

Heavy-duty industrial construction, automatic operation, and the best warranty in the business make the Vogt ice machines the only "clear" choice for your ice making needs.

## Three settings are available:

- Cylinder (Tube-Ice) only  
7/8" Ice Diameter X 3/4" long  
1 1/8" Ice Diameter X 1" long
- Crushed Ice only  
3/16" to 1/4" thick on all models (approx.)
- Dual Ice Option  
Both Cylinder and crushed ice for split bins

## P112 Features:

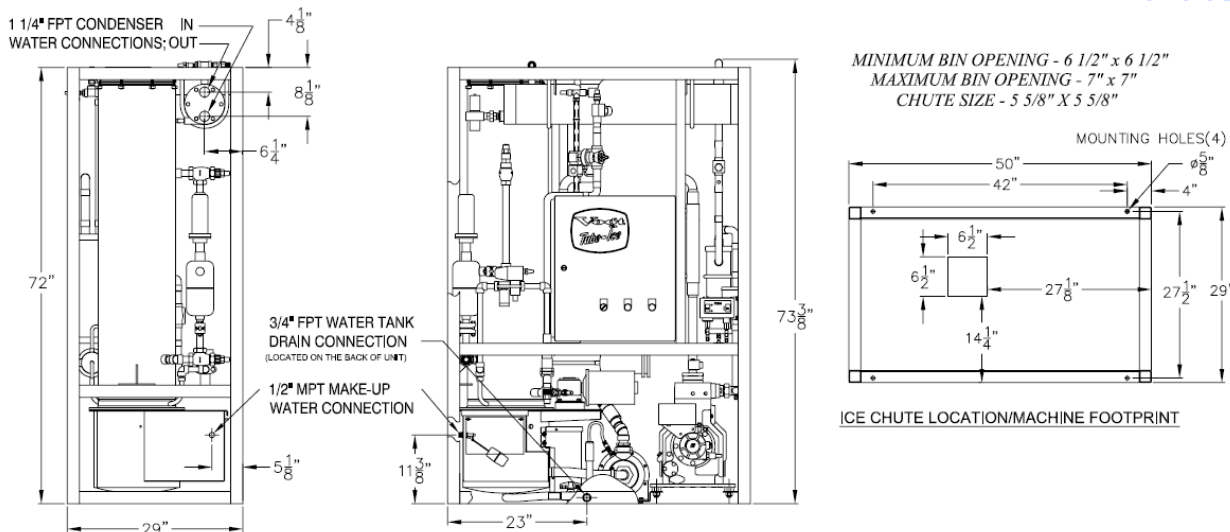
- 25 Year evaporator warranty
- Highly Efficient Copeland Discus Compressor
- Manufactured in accordance with the A.S.M.E. code
- Environmentally friendly Refrigerant R404A
- Controls U.L. Approved



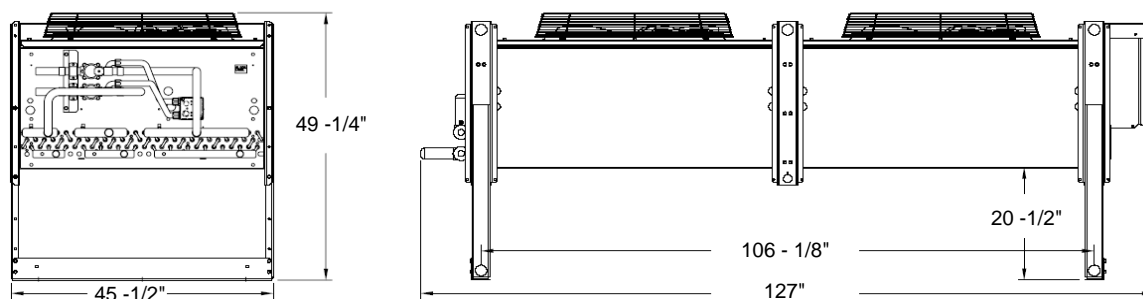
# VOGT TUBE-ICE<sup>®</sup> MACHINES

Model  
P112

## Ice Machine



## Condenser



Ice Machine Electrical Information						
Voltage	Air Cooled			Water Cooled		
	F.L.A.	Min. Ampacity	Max. Fuse Size (Amps)	F.L.A.	Min. Ampacity	Max. Fuse Size (Amps)
208/230V, 3ph, 60hz	62.4	72.7	115	48.4	58.7	100
460V, 3ph, 60hz	30.7	35.7	60	23.7	28.7	50
200V, 3ph, 50hz	65.5	76.4	120	51.5	62.4	110
400V, 3ph, 50hz	31.2	37.4	60	24.2	30.4	55

Machine Capacity						
Model	Make-Up Temperature					
	50°F (10°C)		70°F (21°C)		90°F (32°C)	
	Lbs	Kg	Lbs	Kg	Lbs	Kg
P112F - 1"	6,686	3033	6,024	2732	5,482	2487
P112F - 1 1/4"	6,347	2879	5,725	2597	5,188	2353

Motor Information			
Water Pump	Cutter Motor	Condenser Fan Motor(s) H.P.	Compressor
1 1/2	1/2	(qty 2) 1 1/2	6 1/2
			7 1/2

Water Usage					
Ice Making				Condenser	
Gal/100lbs	Liters/100lbs	GPM	LPM	GPM	LPM
14.5	54.9	0.55	2.08	10.5	39.7
		0.53	2.01		

NOTE: WATER REQUIREMENTS BASED ON MAKEUP WATER TEMPERATURE OF 70 ° F AMBIENT (AIR) TEMPERATURE OF 90 ° F AND 60HZ POWER.

CAPACITY RATING IS AVERAGE FOR THE MODEL. INDIVIDUAL MACHINES MAY VARY +/- 5% .

MAKE-UP WATER USAGE INCLUDES 20 % BLOWDOWN.

### Operating Conditions:

The ice machine shall not be subjected to an atmospheric temperature lower than 50 ° F nor higher than 90 ° F, without effect on performance. Water for ice making purposes shall be non-corrosive. The water shall be at a constant pressure of not less than 30 psig at the ice machine location. The condition of the water to make satisfactory ice shall be the responsibility of the purchaser.

### Air-Cooled Condensers:

The air-cooled condensers are available as remote units only, with 50/50 split coil and low ambient controls. Vogt requires that the air-cooled condensers be purchased from the Vogt factory for warranty consideration and in order to assure proper sizing and operation. The ice capacity with an air-cooled unit will be the same as a water-cooled unit as long as the ambient temperature does not exceed 90 ° F. For each 5 ° F increase in ambient temperature above 90 ° F, the ice capacity will be decreased by approximately 3%.

	Machine Weights			
	Ice Machine		Condenser	
	Lbs	Kg	Lbs	Kg
Shipping Weight	2000	907	760	345
Operating Weight	2030	921	580	263

Line Size Connections		
Ice Making Water	1/2" MPT	
Drain Connections	3/4"	
Condenser Water Lines	In	1 1/4" FPT
	Out	
Refrigerant Line Sizes from Ice Machine to Condenser	Return	7/8" IDS
	Out	1 1/8" IDS

Revision & / \$ / 201&

**Vogt**  
TubeIce | Turbo  
Engineered to Endure

Vogt Ice, LLC  
1000 West Ormsby Ave.,  
Louisville KY 40210  
Phone: 502-635-3000  
E-mail: info@vogtice.com

